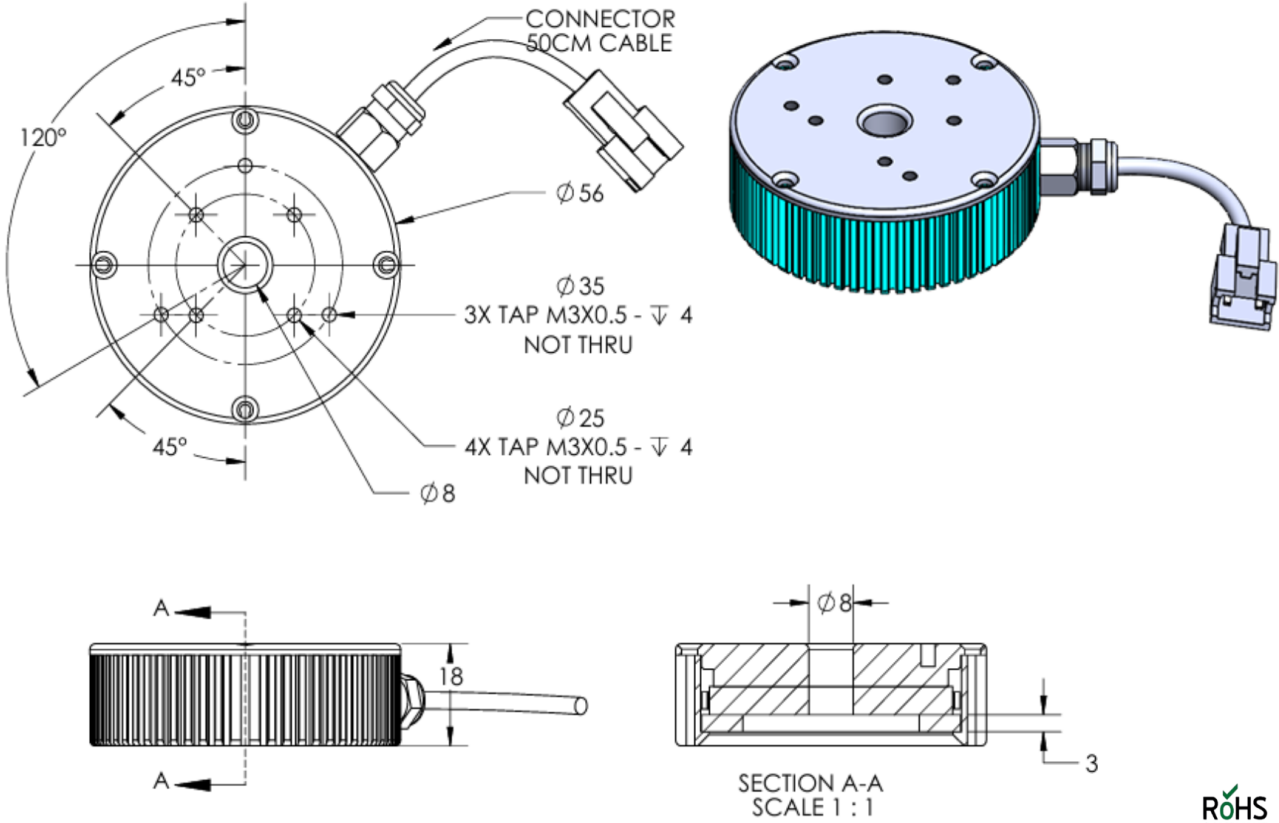


ILLUMINATOR DATA

LT4RTF050-00-1-B-24V

Lighting Dimension

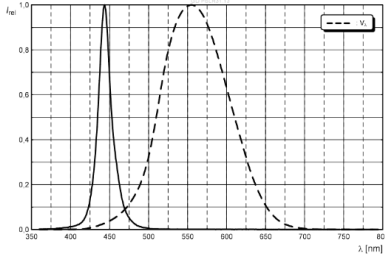


Mechanical Information

Casing Material	Aluminium, Aluminum Extrusion
Storage Temperature Range	0 - 45°C
Storage Humidity Range	20 - 85%
Weight	60g
Width / Inner Diameter	8mm
Length / Outer Diameter	56mm
Height / Thickness	18mm

ILLUMINATOR DATA

LT4RTF050-00-1-B-24V

Lighting Information			
LED Color	BLUE		
Wavelength	 <p>444 nm - 461 nm</p>		
Working Distance	10mm	15mm	20mm
Intensity (±15%)	0lx	0lx	0lx
Illumination (Number of Row)	1		
Illumination Active Area	Active Outer Diameter	31.8	
	Active Inner Diameter	8	
Emission Angle	0°		
Eye Safety Class (IEC62471)	EXEMPT Products with sources, which do not pose any potential photobiological hazard even for the continuous and unrestricted exposure. Example: 8 hours of exposure poses no acute hazard to either eye or skin, and 10,000 seconds (2.8 hours) of the intent starting causes no blue light retinal hazard.		
Chromaticity Table For White Colour Only			

Electrical Information	
Rated Voltage	24V _(Min) - 24V _(Max)
Rated Current	108mA
Power Consumption	2.592W
Casing Temperature, After 60 minutes operation	60°C


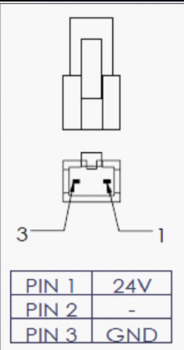
Strobe Mode Specification		
*Normal Strobe Voltage	24V	
*Normal Strobe Current	108mA	
Overdrive Voltage Range	Min: 36V	Max: 48V
Overdrive Current Range	Min: 399mA	Max: 666mA
Recommended Overdrive Voltage	36V	
**Max. Trigger Pulse Duration	10%	
**Max. Duty Cycle	10msec	

*Normal strobe means the lighting is operated using the rated power. Overdrive means the power supplied to the lighting exceeded the rated power.

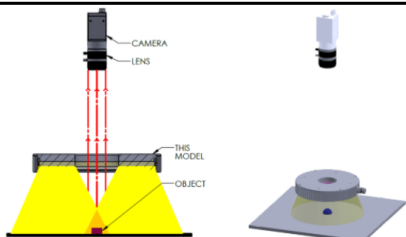
**Overdrive condition must not exceed the max. trigger pulse duration and max. duty cycle.

ILLUMINATOR DATA

LT4RTF050-00-1-B-24V

Connection Information									
Connector Type	JST SMR-03V-B								
Cable Length	500mm								
Pin Configuration 	Pin	Signal	Cable Color						
	1	24V	RED						
	2	-	-						
	3	GND	WHITE / BLACK						
	 <table border="1" data-bbox="933 873 1093 952"> <tr> <td>PIN 1</td> <td>24V</td> </tr> <tr> <td>PIN 2</td> <td>-</td> </tr> <tr> <td>PIN 3</td> <td>GND</td> </tr> </table>		PIN 1	24V	PIN 2	-	PIN 3	GND	
PIN 1	24V								
PIN 2	-								
PIN 3	GND								

Additional Information	
Additional Cooling Method	Attached to machine part for better heat dissipation
Intensity Controller Selection	LTIC series
CE Conformity	YES
RoHS Compliance	YES

Application	
Illumination Type	Diffused Angular Ring Illumination
Application Use	<ul style="list-style-type: none"> Printed Character on IC Chips Printing on Caps and Wafer OCR Inspection PCB Components Inspection 

ILLUMINATOR DATA

LT4RTF050-00-1-B-24V

Lighting Pattern				
Working Distance	For further details, please contact us			
Display and Image	For further details, please contact us			
Data Results	Horizontal	Meas. (mm)	Vertical	Meas. (mm)
	90%	N.A.	90%	N.A.
	90%	N.A.	90%	N.A.
	80%	N.A.	80%	N.A.
	70%	N.A.	70%	N.A.
	60%	N.A.	60%	N.A.
	50%	N.A.	50%	N.A.
	40%	N.A.	40%	N.A.
	30%	N.A.	30%	N.A.
	20%	N.A.	20%	N.A.
10%	N.A.	10%	N.A.	